

WARRANTY OBLIGATIONS

These obligations are fulfilled on the basis of the Estonian Civil Code.
This product is covered by the Kopfgescheit warranty - 12 months.
The warranty only applies to original parts and accessories. Warranty repairs are free of charge (including the cost of labour and required spare parts). The warranty only applies to manufacturing or raw material defects of the products.

WARRANTY LIMITATIONS

The warranty does not cover faults caused by faulty installation, cleaning with abrasive or caustic substances, improper operation or maintenance. The warranty does not apply to appliances connected to the system without fine filters. The warranty does not apply to power supply elements, rubber gaskets and other sealing, sealing materials. The manufacturer is not liable for any damage caused by the use of this appliance.

Defective components of the device are repaired or replaced free of charge during the warranty period. The decision to replace or repair the unit is made by the Service Centre. The replaced parts become the property of the Service Centre.

WARRANTY CERTIFICATE

Model: **Kopfgescheit KG5148V-DC**

The device has been pre-sale checked.

There are no complaints about the appearance and completeness of the device.

Seller: _____

Date of Sale: _____

Stamp and signature of the seller: _____

Signature of the buyer: _____

(By this signature the buyer certifies his agreement with the terms and conditions of warranty and post-warranty service)

*Detailed terms of warranty service can be found on the official website www.kopfgescheit.eu.



ENG

AUTOMATIC FAUCET

KOPFGESCHEIT KG5148V-DC



PRODUCT CERTIFICATE

DEAR BUYER!

Thank you for choosing a **Kopfgescheit** product. This device is designed and manufactured using modern technology, which guarantees high efficiency and safety in use. This Kopfgescheit device will ensure comfort and hygiene in restaurants, cafes, hotels, medical clinics, offices, industrial premises, etc. The use of this Kopfgescheit device will significantly reduce water consumption and the risk of infectious contact diseases in public areas. This risk can be avoided by using the full range of Kopfgescheit equipment, which you can find on the official website www.kopfgescheit.eu

TABLE OF CONTENTS

1. Dimensions of the faucet (Fig. 1.)
2. Supply kit
3. Installation instructions (Fig. 2.)
4. Connection of the valve and power supply unit (Fig. 4, 5, 6)
5. Safety precautions
6. Operation of the device
7. Care of the device
8. Specification
9. Warranty obligations
10. Warranty limitations
11. Warranty certificate

SUPPLY KIT

1. Dimensions of the spout (Fig. 1.)
2. Supply kit
3. Installation instructions (Fig. 2)
4. Assembly instructions (Fig. 3)
5. Connection of the valve and power supply unit (Fig. 4, 5, 6)
6. Safety precautions
7. Operation of the device
8. Care of the device
9. Specification
10. Warranty
11. Warranty Limitations
12. Warranty card

OPERATION OF THE DEVICE

This device is designed for commercial use. It meets the highest demands for quality and reliability. As soon as the unit is installed, connected and set up, it is ready for use. As soon as the sensor area is reached by the object, the water starts to flow. When the object leaves the sensor area, the water supply stops. If the object is in the sensor area for a minute or more, the water is switched off forcibly.

CARE OF THE DEVICE

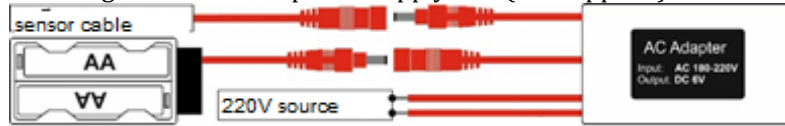
The Kopfgescheit device does not require any special care. Clean it regularly with a damp cloth using a small amount of soapy water. Do not use abrasive substances or solvents to clean the device. Make sure that the sensor screen is free of dirt. Periodically rinse the filter. If the valve is dirty, it can be partially disassembled and cleaned with special solutions; this operation should only be carried out by a qualified technician. In the absence of such specialists, please contact your nearest Kopfgescheit Service Centre. Please note that there is a charge for this service.

SPECIFICATION

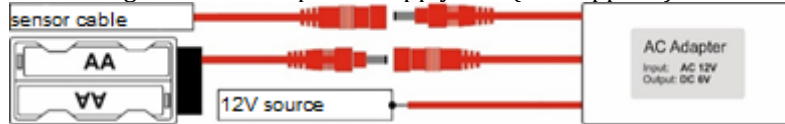
Faucet body;	stainless steel (SUS304)
Pipe diameter:	DN15 (G1/2``)
Power supply:	DC6V (4*AA batteries, not included) USB (USB cable included) AC 220V or AC 12V external (optional) with UPS function
Power Consumption:	0.5 mW - 2W
Working pressure:	0.05 - 0.7 MPa
Operating temperature:	0.1 - 45°C
Sensor operating zone:	up to 30 cm (automatic setting)
Response delay:	0.5 sec
Degree of protection:	IP65
Spout dimensions (H x W x D):	157 x 50 x 155
Weight:	0.77kg

CONNECTION OF THE VALVE AND POWER SUPPLY UNIT (Fig. 4, 5, 6)

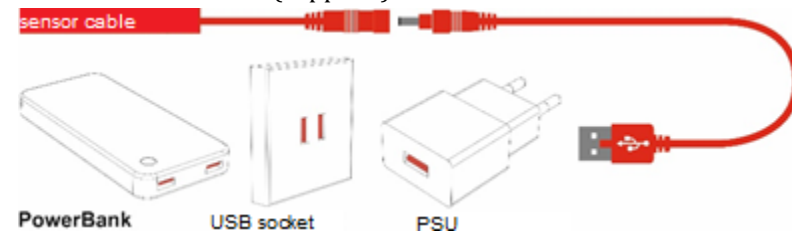
1. Connecting the KG-PS220 power supply unit (not supplied)



2. Connecting the KG-PS12 power supply unit (not supplied)



3. USB cable connection. (supplied)



SAFETY PRECAUTIONS

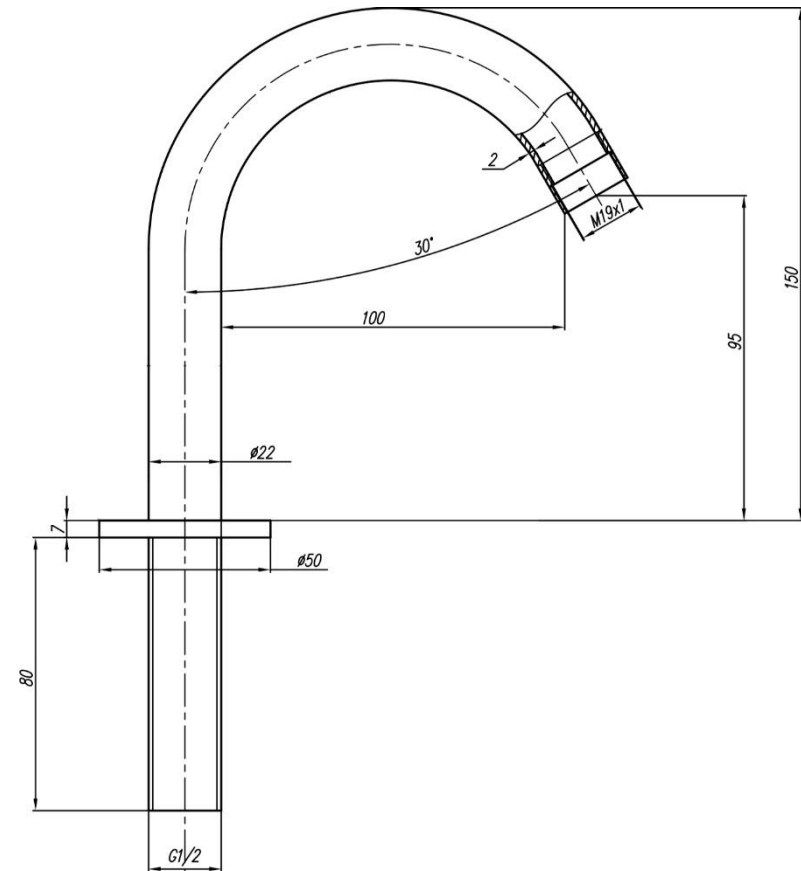
This Kopfgescheit appliance is certified for use with water only. No modifications to the device are permitted. This appliance may only be installed and serviced by qualified personnel. The manufacturer accepts no liability in case of non-compliance with these conditions.

Please note that the installation of fine water filters is highly recommended for the quality operation of touchless electronic sanitaryware.

WARNING! All work to be carried out on a base of:

- EN 15091
- ETSI EN 301 489-1 V1.9.2
- ETSI EN 300 328 v2.2.2
- EN 61000-6-1:2007
- EN 61000-6-3:2007+A1:2011+AC:2012
- EN 60335-1:2012+A11+A13+A14+A2+A15:2021, Part 19.11.4

DIMENSION OF THE FAUCET (Fig. 1)



SUPPLY KIT

- | | |
|---|-------|
| 1. Spout assembly with sensor (faucet) | 1 pc. |
| 2. Solenoid valve with EasyCare function and integrated fine filter | 1 pc. |
| 3. Battery compartment with holder | 1 pc. |
| 4. Silicone gasket with fixing washer | 1 pc. |
| 5. Clamping nut | 1 pc. |
| 6. Mounting kit for battery compartment holder | 1 pc. |
| 7. USB cable | 1 pc. |
| 8. Removable aerator key | 1 pc. |
| 9. Gasket (1/2 inch) | 1 pc. |
| 10. Product certificate with warranty card | 1 pc. |

INSTALLATION INSTRUCTION

1. Make sure that nothing will interfere with the proper operation of the sensor at the intended location of the faucet. Avoid direct and reflected sunlight as well as infrared radiation (e.g. from infrared heaters).
2. Shut off the water in the system.
3. Remove the protective layer from the adhesive surface where the faucet is attached.
4. Install the faucet into the sink mounting hole. Press the mixer against the sink for 5-10 seconds. For better fixation of the adhesive layer, we recommend pre-treating the surface with a degreasing agent.
5. Install the silicone gasket and the mounting washer. Insert the sensor wire into the hole in the washer so that the fixing nut cannot damage the wire. Tighten the washer and gasket to the sink using the retaining nut.
6. Secure the solenoid valve to the faucet leg. Use the gasket provided.
7. Remove the battery compartment from the battery holder. Insert 4 1.5V AA batteries (not included) into the battery compartment. Observe the polarity. Secure the battery compartment holder under the sink. Place the battery compartment back in place.
8. Make sure there are no foreign objects in the sensor range.
9. Connect the faucet sensor to the battery compartment and solenoid valve.
10. Open the water. Adjust the water flow using a slotted screwdriver. Check that there are no leaks and that the Kopfgescheit faucet is working properly.
11. Periodically flush the fine filter using the **EasyCare** function (EasyCare is the ability to adjust the water flow and shut off the water supply on site to service the fine filter without shutting off the water supply to the system, Fig. 2)



ASSEMBLY INSTRUCTIONS (Fig. 3)

