

WARRANTY OBLIGATIONS

These obligations are fulfilled on the basis of the Estonian Civil Code.
This product is covered by the Kopfgescheit warranty - 12 months.
The warranty only applies to original parts and accessories. Warranty repairs are free of charge (including the cost of labour and required spare parts). The warranty only applies to manufacturing or raw material defects of the products.

WARRANTY LIMITATIONS

The warranty does not cover faults caused by faulty installation, cleaning with abrasive or caustic substances, improper operation or maintenance. The warranty does not apply to appliances connected to the system without fine filters. The warranty does not apply to power supply elements, rubber gaskets and other sealing, sealing materials. The manufacturer is not liable for any damage caused by the use of this appliance.

Defective components of the device are repaired or replaced free of charge during the warranty period. The decision to replace or repair the unit is made by the Service Centre. The replaced parts become the property of the Service Centre.

WARRANTY CERTIFICATE

Model: **Kopfgescheit KG5147CV-DC**

The device has been pre-sale checked.

There are no complaints about the appearance and completeness of the device.

Seller: _____

Date of Sale: _____

Stamp and signature of the seller: _____

Signature of the buyer: _____

(By this signature the buyer certifies his agreement with the terms and conditions of warranty and post-warranty service)

*Detailed terms of warranty service can be found on the official website www.kopfgescheit.eu.



AUTOMATIC FAUCET

KOPFGESCHEIT KG5147V-DC



PRODUCT CERTIFICATE

DEAR BUYER!

Thank you for choosing a **Kopfgescheit** product. This device is designed and manufactured using modern technology, which guarantees high efficiency and safety in use. This Kopfgescheit device will ensure comfort and hygiene in restaurants, cafes, hotels, medical clinics, offices, industrial premises, etc. The use of this Kopfgescheit device will significantly reduce water consumption and the risk of infectious contact diseases in public areas. This risk can be avoided by using the full range of Kopfgescheit equipment, which you can find on the official website www.kopfgescheit.eu

TABLE OF CONTENTS

1. Dimensions of the faucet (Fig. 1.)
2. Supply kit
3. Installation instructions (Fig. 2.)
4. Connection of the valve and power supply unit (Fig. 4, 5, 6)
5. Safety precautions
6. Operation of the device
7. Care of the device
8. Specification
9. Warranty obligations
10. Warranty limitations
11. Warranty certificate

SUPPLY KIT

- | | | |
|-----|---|--------|
| 1. | Spout assembly with sensor (faucet) | 1 pc. |
| 2. | Solenoid valve with EasyCare function with integrated fine filter | 1 pc. |
| 3. | Battery compartment with holder | 1 pc. |
| 4. | Fixing nut with screws | 1 pc. |
| 5. | Fixing washer | 1 pc. |
| 6. | Faucet | 1 pc. |
| 7. | Flexible bellows inlet 40 cm (stainless steel SUS304) | 2 pcs. |
| 8. | Temperature control lever | 1 pc. |
| 9. | Cotter pin | 1 pc. |
| 10. | Bracket with screws | 1 pc. |
| 11. | Pusher | 1 pc. |

OPERATION OF THE DEVICE

This device is designed for commercial use. It meets the highest demands for quality and reliability. As soon as the unit is installed, connected and set up, it is ready for use. As soon as the sensor area is reached by the object, the water starts to flow. When the object leaves the sensor area, the water supply stops. If the object is in the sensor area for a minute or more, the water is switched off forcibly.

CARE OF THE DEVICE

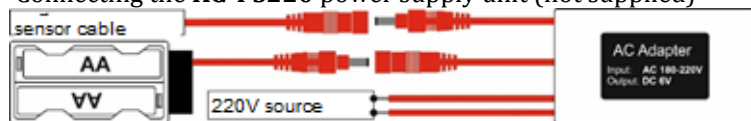
The Kopfgescheit device does not require any special care. Clean it regularly with a damp cloth using a small amount of soapy water. Do not use abrasive substances or solvents to clean the device. Make sure that the sensor screen is free of dirt. Periodically rinse the filter. If the valve is dirty, it can be partially disassembled and cleaned with special solutions; this operation should only be carried out by a qualified technician. In the absence of such specialists, please contact your nearest Kopfgescheit Service Centre. Please note that there is a charge for this service.

SPECIFICATION

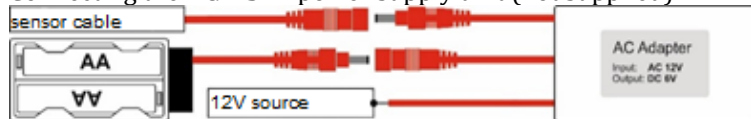
Faucet body:	stainless steel (SUS304)
Pipe diameter:	DN15 (G1/2")
Power supply:	DC6V (4*AA batteries, not included) USB (USB cable included) AC 220V or AC 12V external (optional) with UPS function
Power Consumption:	0.5 mW - 2W
Working pressure:	0.05 - 0.7 MPa
Operating temperature:	0.1 - 45°C
Sensor operating zone:	up to 30 cm (automatic setting)
Response delay:	0.5 sec
Degree of protection:	IP65
Spout dimensions (H x W x D):	200 x 50 x 155
Weight:	1.13kg

CONNECTION OF THE VALVE AND POWER SUPPLY UNIT (Fig. 4, 5, 6)

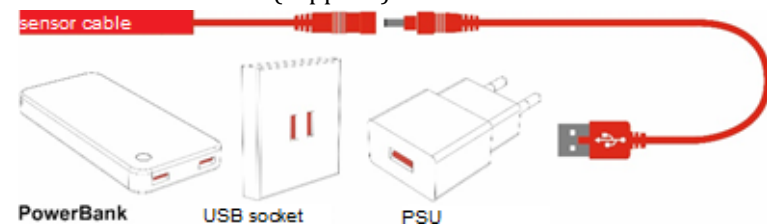
1. Connecting the **KG-PS220** power supply unit (not supplied)



2. Connecting the **KG-PS12** power supply unit (not supplied)



3. **USB cable connection.** (supplied)



SAFETY PRECAUTIONS

This Kopfescheit appliance is certified for use with water only. No modifications to the device are permitted. This appliance may only be installed and serviced by qualified personnel. The manufacturer accepts no liability in case of non-compliance with these conditions.

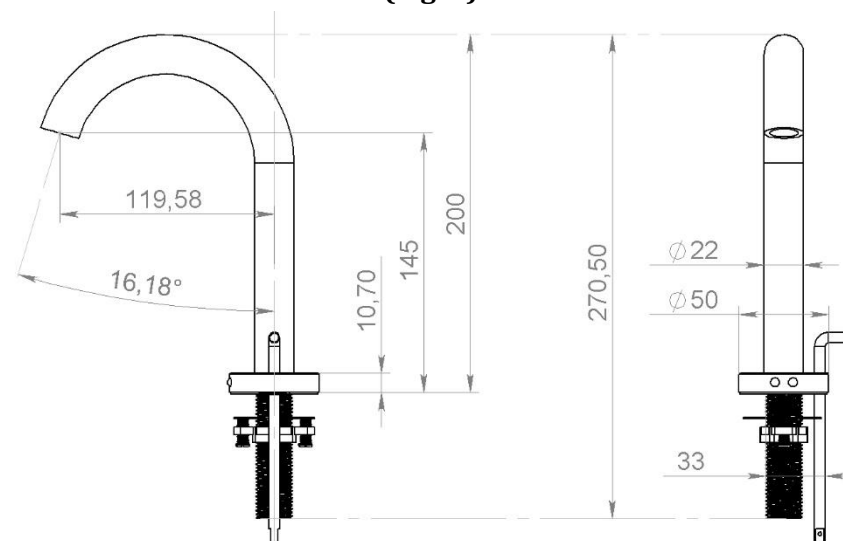
Please note that the installation of fine water filters is highly recommended for the quality operation of touchless electronic sanitaryware.

WARNING! All work to be carried out on a base of:

- EN 15091
- ETSI EN 301 489-1 V1.9.2
- ETSI EN 300 328 v2.2.2
- EN 61000-6-1:2007
- EN 61000-6-3:2007+A1:2011+AC:2012
- EN 60335-1:2012+A11+A13+A14+A2+A15:2021, Part 19.11.4

- | | | |
|-----|---|--------|
| 12. | Mixing unit control lever | 2 pcs. |
| 13. | Attachment kit for battery compartment holder | 1 pc. |
| 14. | USB cable | 1 pc. |
| 15. | Removable key for aerator | 1 pc. |
| 16. | Gasket with flow restrictor (1/2 inch) | 1 pc. |
| 17. | Gasket (1/2") | 1 pc. |
| 18. | Product certificate with warranty card | 1 pc. |

DIMENSION OF THE FAUCET (Fig. 1)



INSTALLATION INSTRUCTION

1. Make sure that nothing will interfere with the proper operation of the sensor at the intended location of the faucet. Avoid direct and reflected sunlight as well as infrared radiation (e.g. from infrared heaters).
2. Shut off the water in the system.
3. Remove the temperature control lever from the accessory bag.
4. Remove the protective layer from the adhesive surface of the spout at the attachment point.
5. Insert the temperature control lever into the hole in the base of the spout.
6. Install the faucet into the sink mounting hole so that the lever is not obstructed from rotating. Press the faucet against the sink for 5-10 seconds. For better fixation of the adhesive layer, we recommend pre-treating the surface with a degreasing agent. After fixing the faucet, pull out the temperature control lever.
7. Place the fixing washer under the sink. Tighten it to the sink using the fixing nut. Adjust the force with the screws on the fixing nut. Make sure that the nut will not interfere with the temperature control knob and the sensor wire.

8. Screw the mounting plate to the valve using the screws.
9. Screw the mixing valve to the solenoid valve using the gasket (17).
10. Screw the valve to the spout using the flow restrictor gasket (16). Make sure that the gasket is installed correctly.
11. Install the temperature control knob by threading it through the faucet base, push rod and bracket in sequence. Secure the temperature control knob with a cotter pin, bend its foot to lock it in place.
12. Install the faucet control levers into the pusher holes.
13. Check that all connections are secure and that the temperature control is operating properly.
14. Connect the flexible supply line to the hot and cold water.
15. Insert 4 1.5V AA batteries (not included) into the battery compartment. Observe the polarity. Place the battery compartment holder in a convenient location under the sink, this should be a dry, serviceable location. Self-tapping screws with wall plugs or the adhesive plate from the holder mounting kit can be used for installation. Place the battery compartment in the holder.
16. Make sure there are no foreign objects in the sensor's range, otherwise the sensor's automatic adjustment will not work correctly.
17. Connect the faucet sensor first to the solenoid valve, then to the battery compartment. The LED on the sensor will light up, after a few seconds it will turn off - the automatic setting is complete.
18. Open the water. Adjust the water flow with the flow control valve using a slotted screwdriver. Check that there are no leaks and that the faucet is working properly.

- If the automation is not working properly, disconnect power for 1 minute and reconnect. The faucet will automatically re-adjust the sensor. It is important that when the mixer is connected, the sensor windows must be clean and dry and there must be no foreign objects in front of the sensor. If it is necessary to set the faucet to a certain sensing distance, hold your hand at the required distance from the sensor during the automatic adjustment of the sensor - the automation will set the faucet to operate at this distance.

ASSEMBLY INSTRUCTIONS (Fig. 3)

